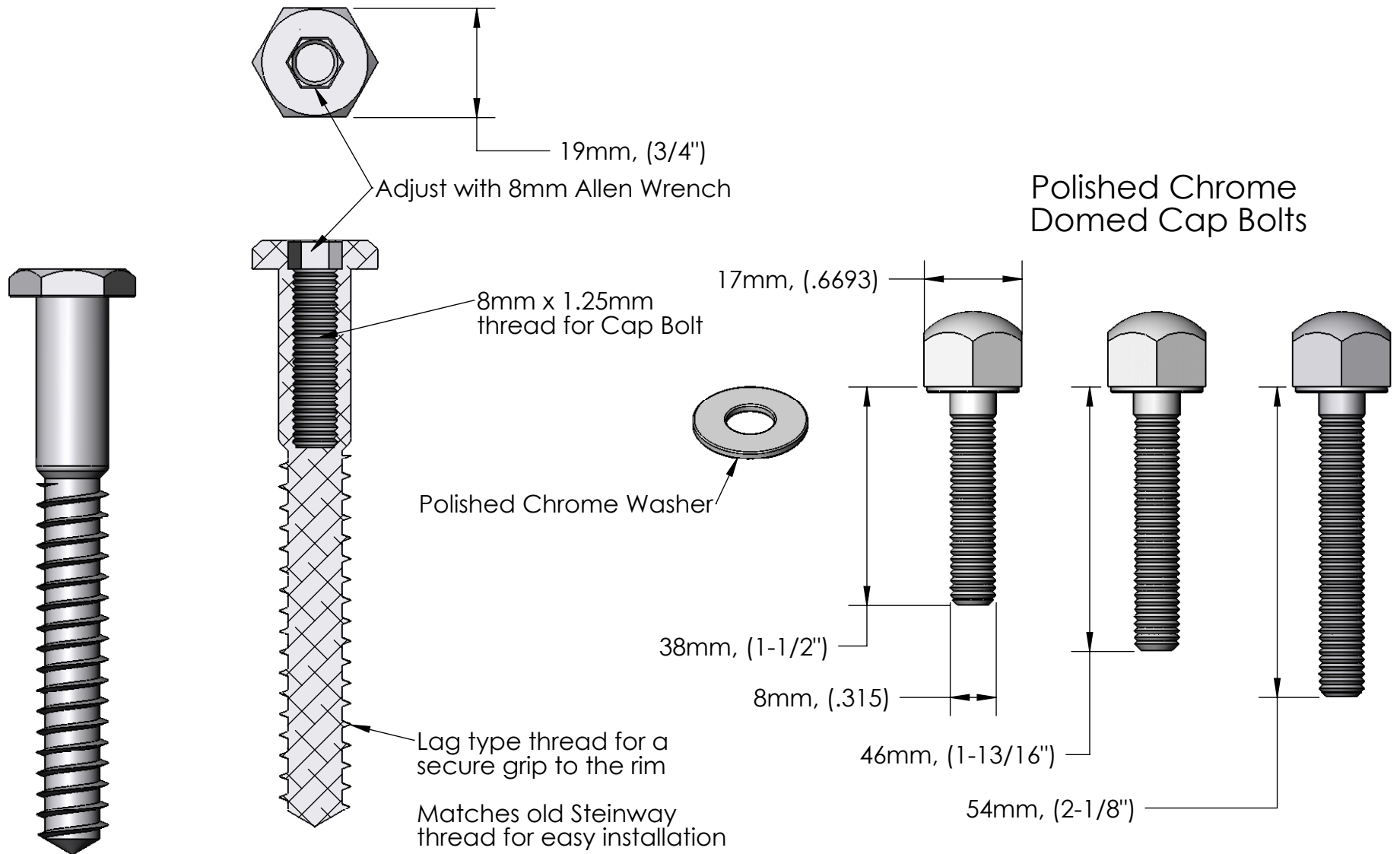


Adjustable Plate Perimeter Bolt

The WNG Adjustable Plate Bolt allows height to be set through the bolt hole in the plate with an 8mm Allen Wrench. After plate height has been set, the Cap Bolt threads into the perimeter bolt below the hex for easy tightening.

Three lengths of Chrome Plated Cap Bolts are provided to allow for a wide range of plate thicknesses.



Adjustable Perimeter Bolt With Domed Nut and Washer

Bolt Code A

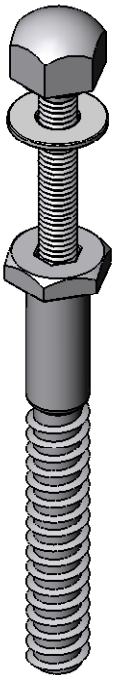
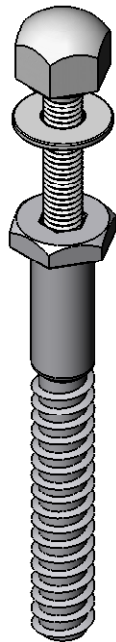
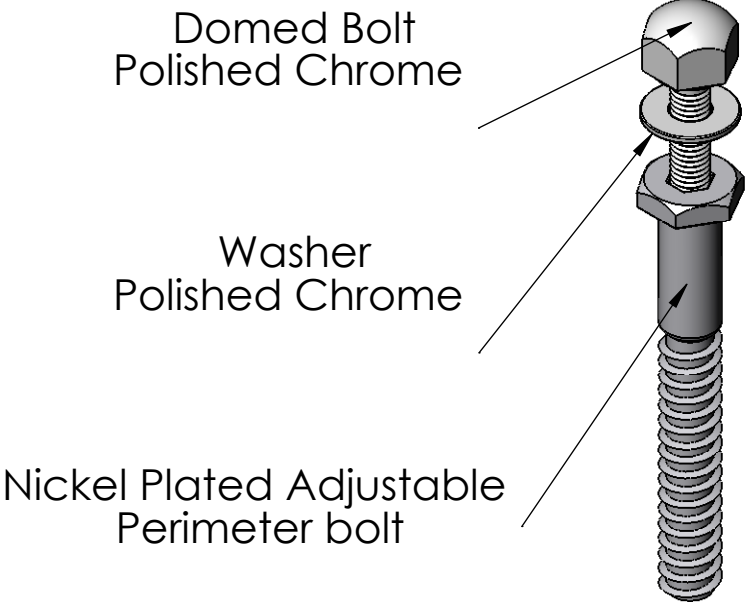
Use where plate thickness is between
9mm and 30mm
or
5/16" and 1-1/8"

Bolt Code B

Use where plate thickness is between
17mm and 38mm
or
5/8" and 1-7/16"

Bolt Code C

Use where plate thickness is between
25mm and 46mm
or
1" and 1-3/4"



Perimeter Bolt W
38mm Domed Bolt

Part No. 06-5300

Perimeter Bolt W
46mm Domed Bolt

Part No. 06-5301

Perimeter Bolt W
54mm Domed Bolt

Part No. 06-5302