

Glide Bolt

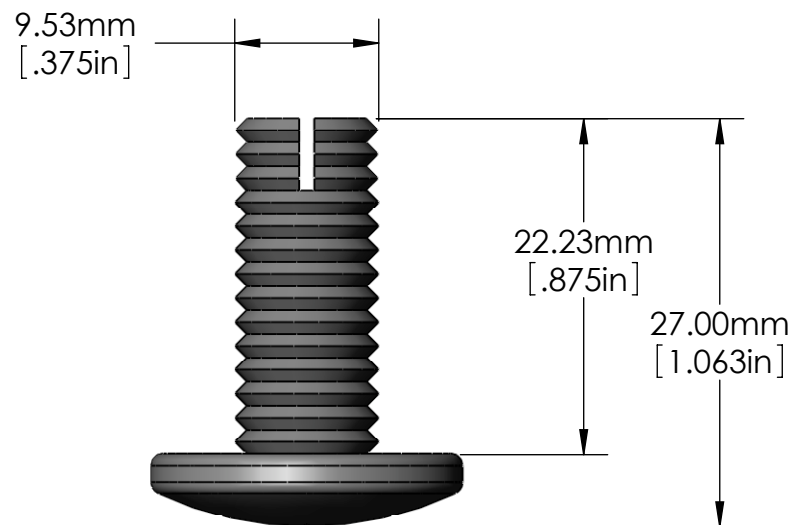
A glide bolt needs to slide smoothly on the keybed as it supports the weight of the action.

The traditional glide bolt is made from brass. The surface that rides on the keybed is polished to reduce friction. This, however, is a temporary expedient at best. Eventually tarnish and corrosion attack the brass causing increased friction between the keybed and the glide. Consequently, the keyframe no longer slides smoothly when the una corda pedal is played.

The WNG glide bolt is made from Aluminum, Hard Anodized and Polished for a permanent, super slick finish.

By hard anodizing and polishing the glide bolt we achieve a durable and permanently slick surface that, in normal use, will never degrade.

The hardness of this surface can be as much as Rockwell C65 (about as hard as a planer blade).



Part No. 06-0144