

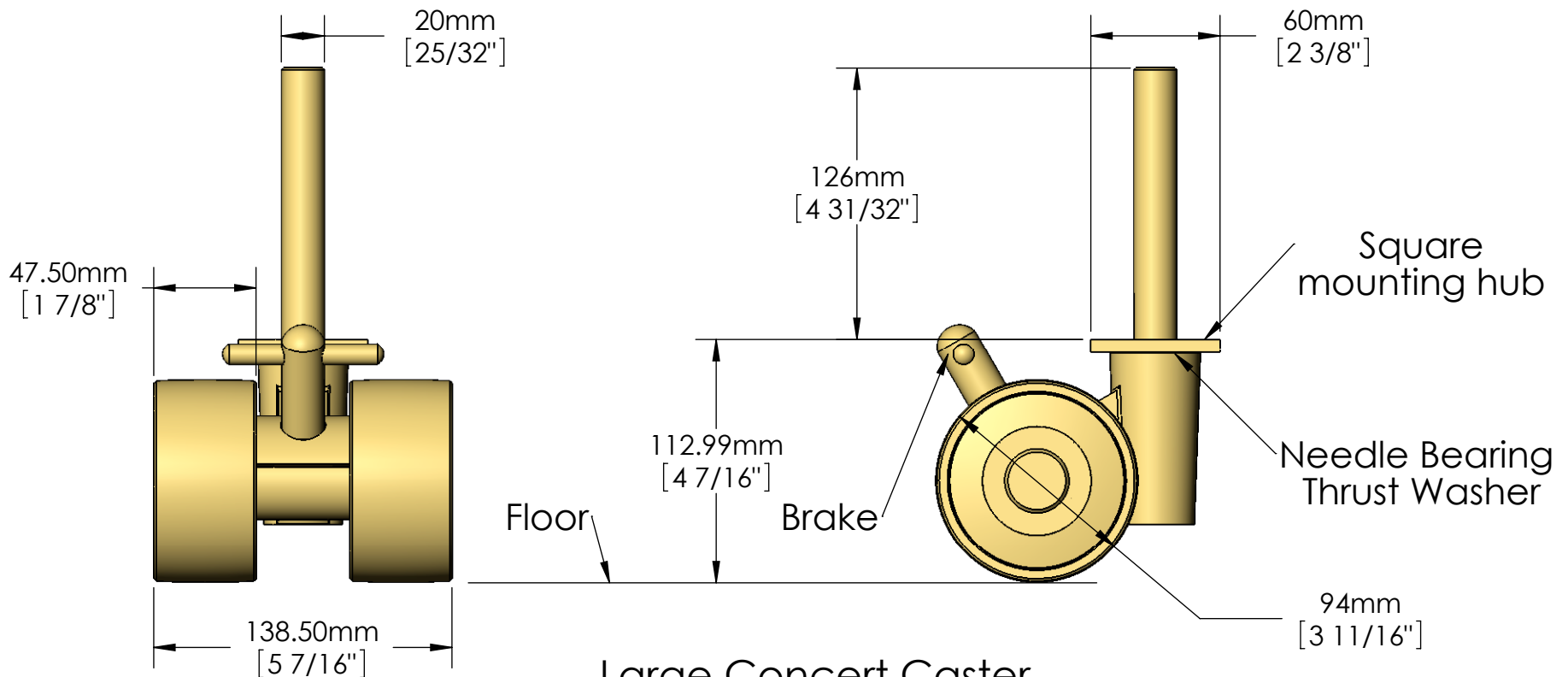
Large Concert Caster

For use on pianos 8" (244cm) and larger, with legs cut to the proper length for the added height of the caster.

Double solid brass wheels, 94mm (3-11/16") in diameter, are mounted on high quality roller bearings. Provides a wide footprint and rolls smoothly under the weight of the piano.

A thrust washer supports the weight and swivels easily as the piano rolls.

Set of three includes 2 casters with a brake and 1 caster without a brake.



Large Concert Caster
Part No. 06-5281