

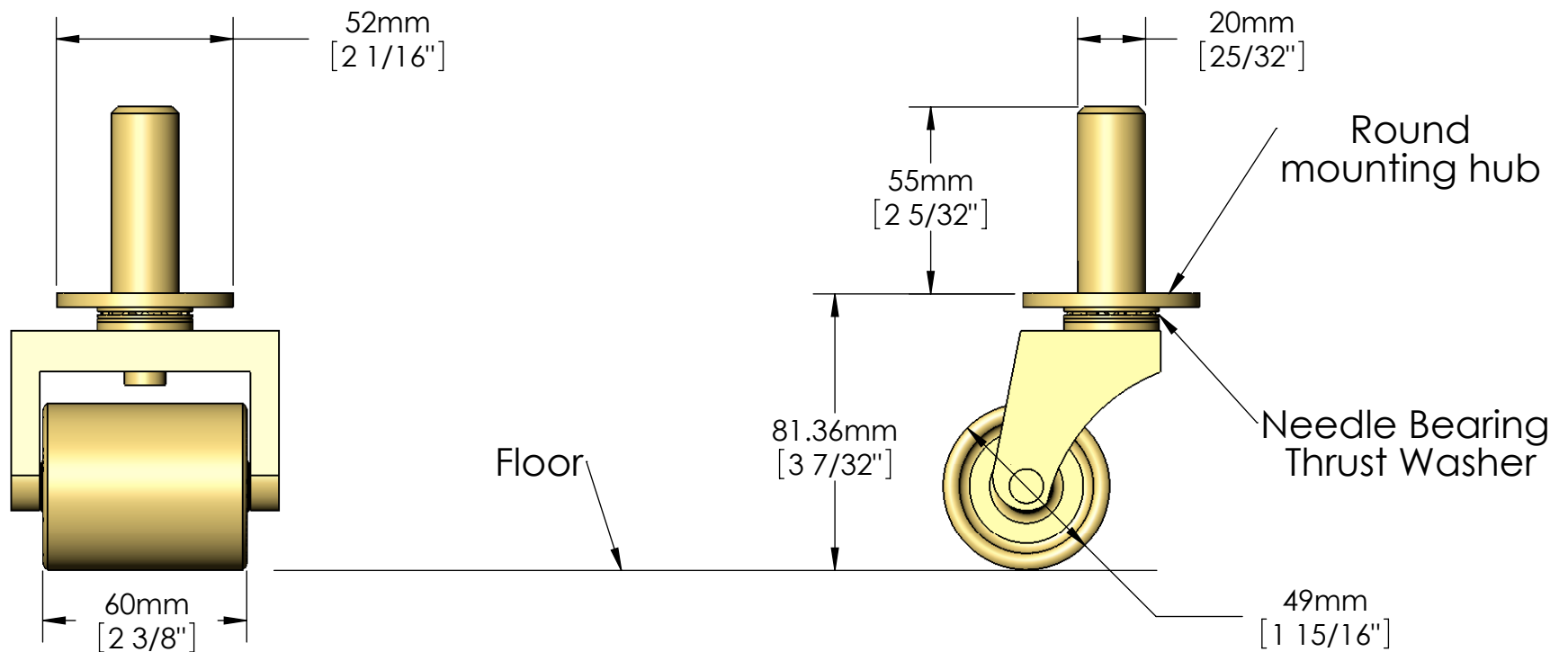
Standard Caster

For use on pianos up to 7" or 213cm

Single solid brass wheel, 49mm (1-15/16") in diameter, mounted on bushings, provides a wide footprint and rolls smoothly under the weight of the piano

A thrust washer supports the weight and swivels easily under the piano

Set of three



Standard Caster
Part No. 06-5279