

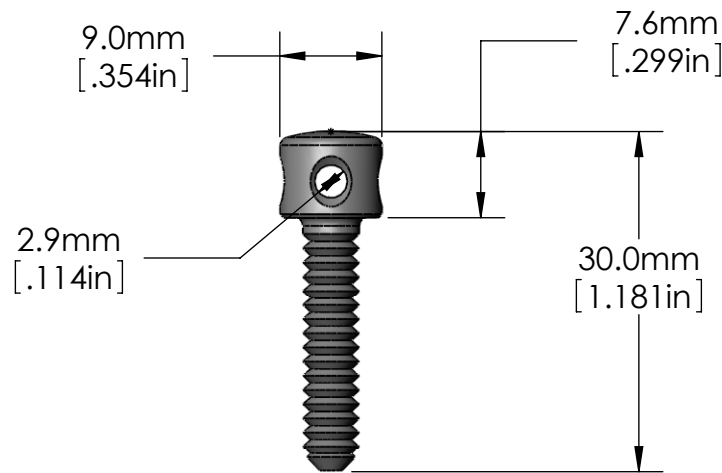
Lightweight Capstan

Two things matter in a capstan, mass and a low coefficient of friction on its contact surface.

Most capstans are fashioned from brass. Unfortunately, brass is heavy and prone to tarnish. To combat this, the contacting surface is usually polished to reduce friction. This expedient is temporary as tarnish will degrade the contacting surface making it somewhat sticky.

WNG's capstan is made from aluminum. Aluminum is light, about 1/3 the mass of brass.

After machining, we hard anodize the capstan. This coats the capstan with Aluminum Oxide, one of the hardest substances on earth. The hardness is as much as Rockwell C65 or about as hard as a planer knife. When polished, the capstan becomes very slick and durable.



Set of 90
Part No. 06-5303



Capstan Drill Bit
4.0mm, [.1575"]

Part No. 06-5607