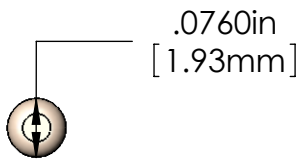
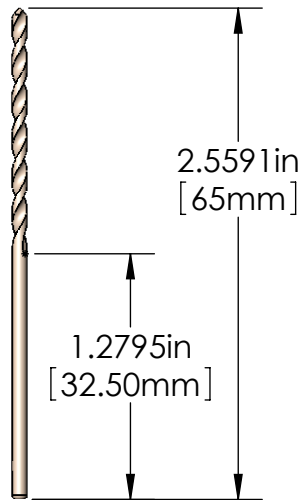


Bridge Pin Drill Bits

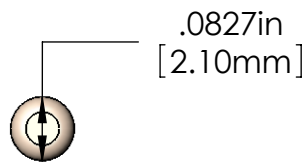
WNG Bridge Pin Drill Bits feature high speed parabolic fluting. This design removes debris from the hole without "clearing the bit". These drills work best between 4,000 and 10,000 RPM.



#6

#48
[1.93mm]

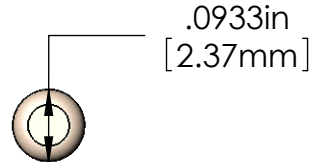
06-5600



#7

#45
[2.10mm]

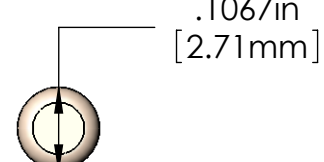
06-5601



#8

#42
[2.37mm]

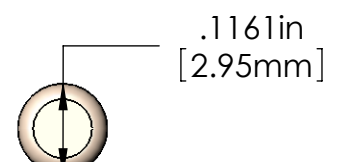
06-5602



#9

#36
[2.71mm]

06-5603



#10

#32
[2.95mm]

06-5604