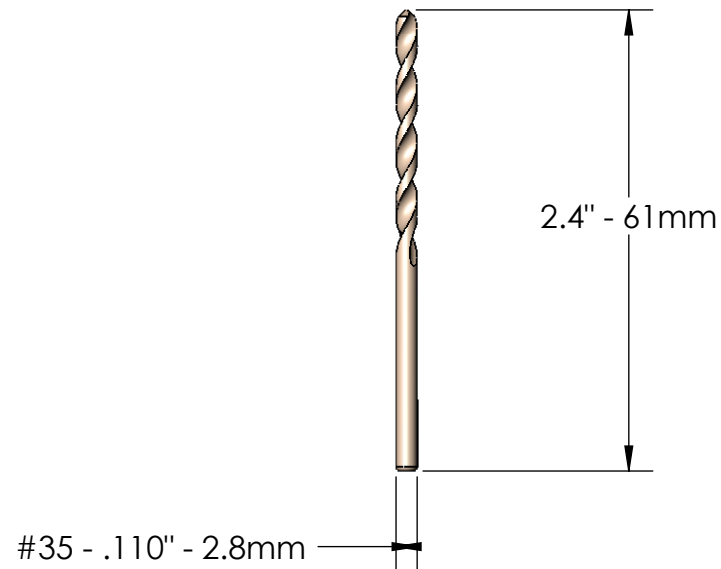


# Back Check Drill Bit

WNG provides a parabolic flute drill bit of the correct diameter.

A bit of this design will clear the material from a deep backcheck hole when the drill press is turning above 3000 rpm



Back Check Drill Bit  
Part No. 06-5606