

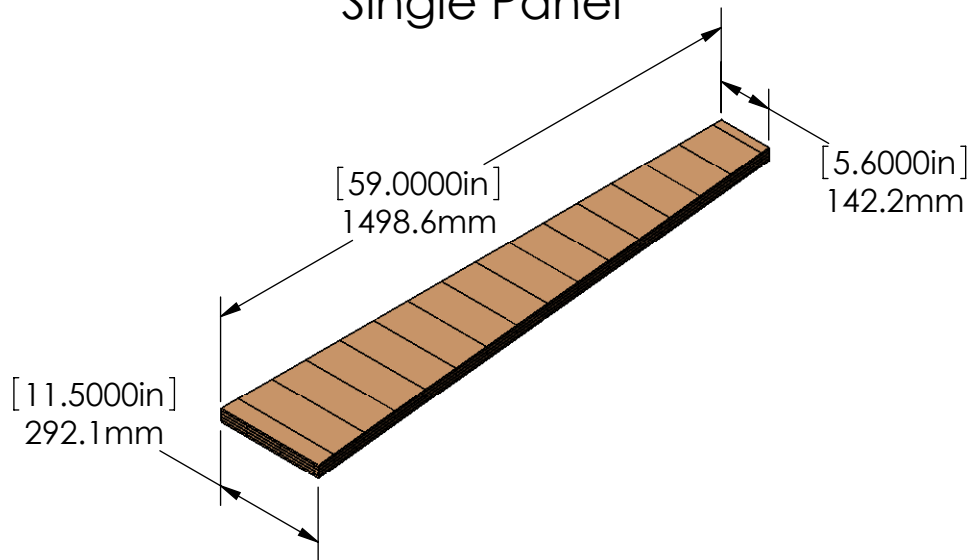
# Wessell, Nickel & Gross Value Pinblock

Pinblocks made from quarter sawn maple are prized by tuners for their "pin feel".

Made with 5 plies of carefully dried and quarter sawn New England hard rock maple, this pinblock is a good choice. Water resistant glue and quartersawn maple makes this block truly durable.

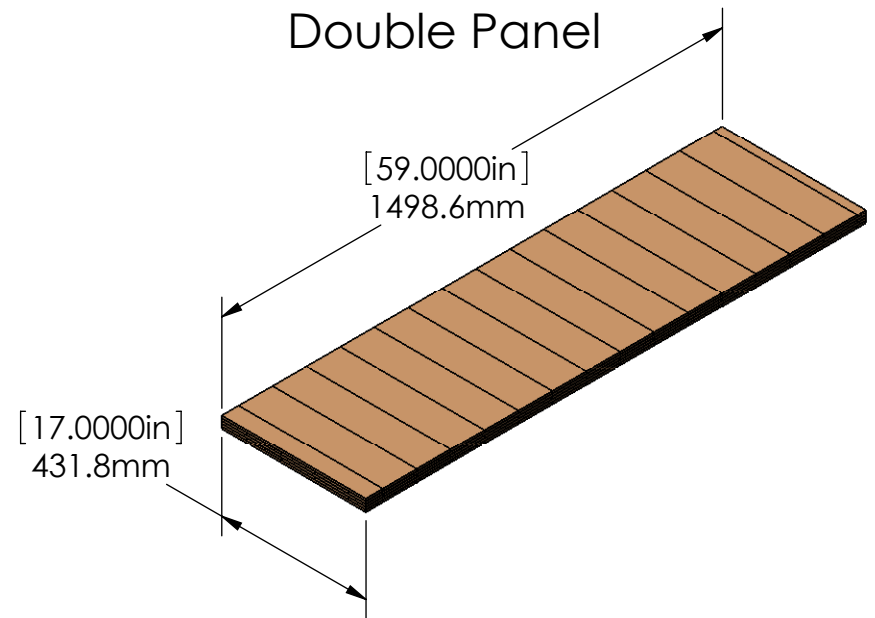


### Single Panel



1-1/4" (31.8mm) thick 06-5464  
1-3/8" (34.9mm) thick 06-5465  
1-5/8" (41.3mm) thick 06-5466

### Double Panel



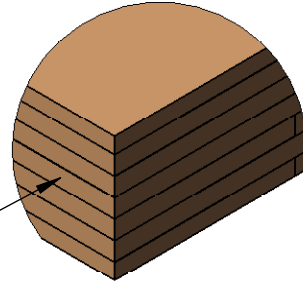
1-1/4" (31.8mm) thick 06-5467  
1-3/8" (34.9mm) thick 06-5468  
1-5/8" (41.3mm) thick 06-5469

# Wessell, Nickel & Gross Ultimate Pinblock

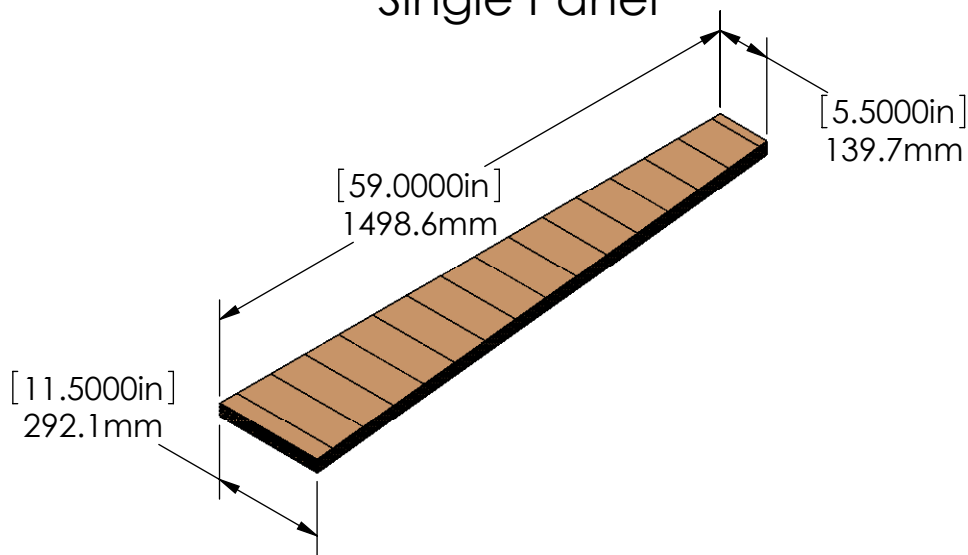
Pinblocks made from quarter sawn maple are prized by tuners for their "pin feel".

Made with 7 plies of carefully dried and quarter sawn New England hard rock maple, this pinblock is the ultimate choice. Water resistant glue, quartersawn maple and two more layers than the value pinblock makes for the ultimate pinblock.

7 Plies quartersawn maple



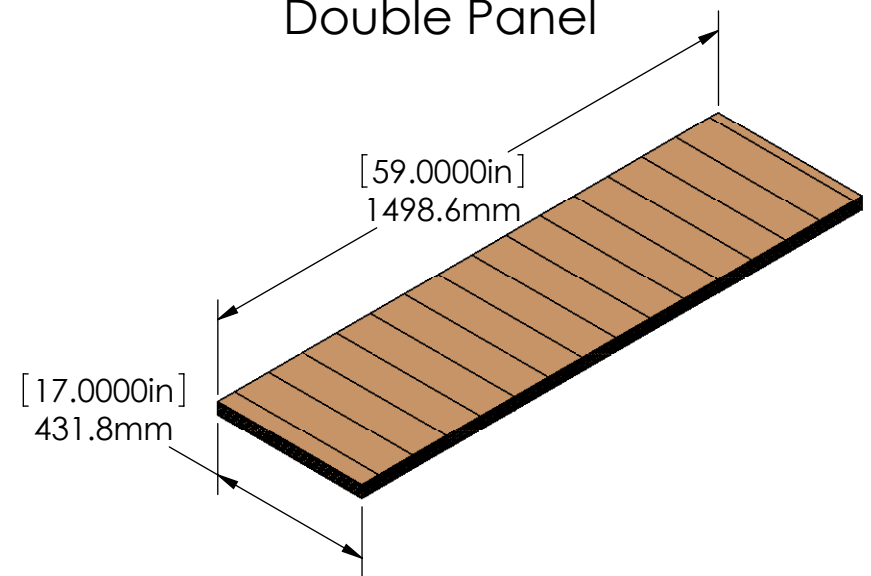
### Single Panel



1-3/8" (34.9mm) thick  
1-5/8" (41.3mm) thick

06-5474  
06-5475

### Double Panel



1-3/8" (34.9mm) thick  
1-5/8" (41.3mm) thick

06-5476  
06-5477