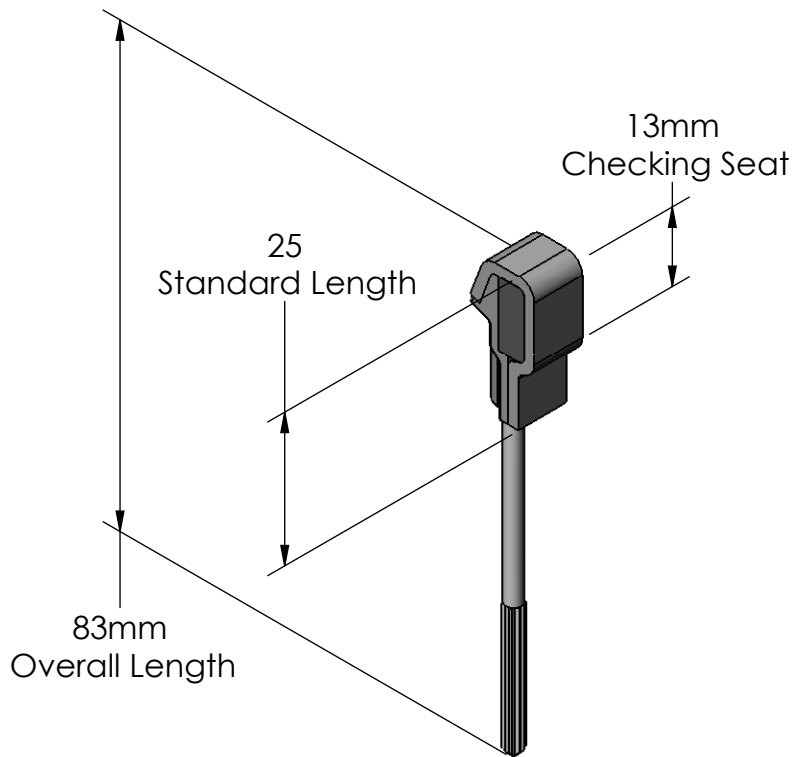


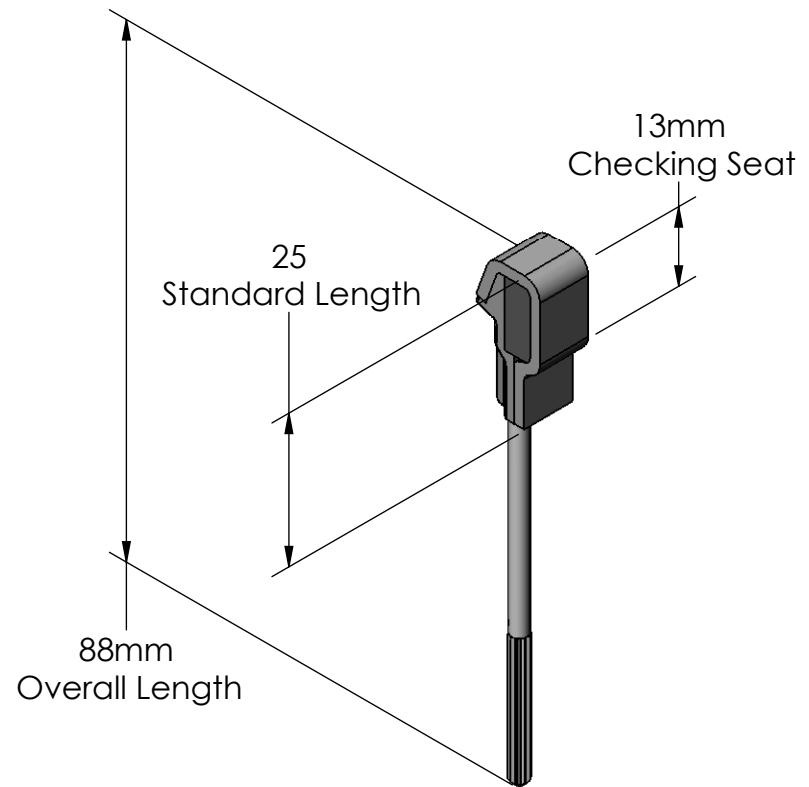
# Standard Length Backchecks

Modern design composite backcheck appropriate for a wide variety of pianos including old Steinways. Features superior checking and clearance.

Use 83mm backcheck for installation into vertical holes.  
Use 88mm backcheck for installation into angled holes.



Standard 83mm Backcheck  
Set of 90  
Part No. 06-5200



Standard 88mm Backcheck  
Set of 90  
Part No. 06-5201